

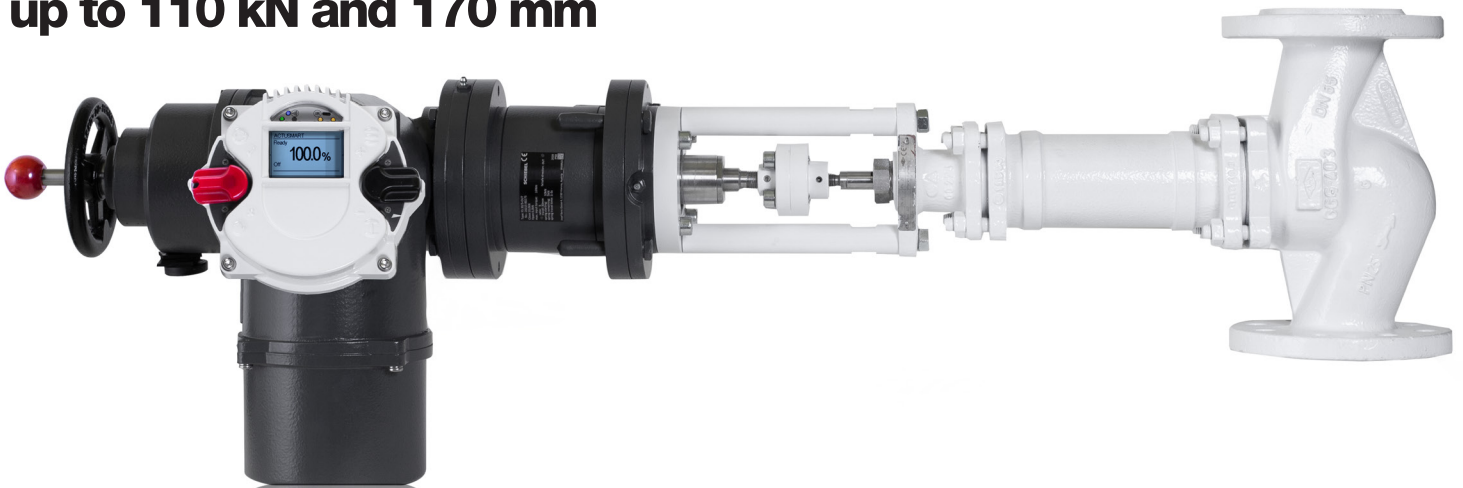
SCHIEBEL

failsafe series

issue Februar 2023

CM Failsafe Linear

Modulating-Duty / On-Off-Duty
up to 110 kN and 170 mm



Power supply

- AC: 1 phase 100VAC...240VAC 50/60Hz +/-10%
- DC: 24VDC +/-10% ■ 3-phase: 380...480VAC 50/60Hz +/-10%

Motor

- PM-motor ■ Controlled via BLDC motor control board
- Isolation class F

Operation mode

- CMxx: ON/OFF duty S2-15min & class A and B ■ rCMxx: Modulating duty S4-1200 cycles/hour with 40% duty cycle & class C

Local control

- Selector switch LOCAL-OFF-REMOTE - lockable
- Control switch OPEN-STOP-CLOSE ■ Large LC-display for detailed visualization of status information & parameters - different languages selectable ■ Red display backlight for alarms ■ 5 RGB LEDs for status indication & control information ■ Cover lid with display in 90° steps rotatable ■ Bluetooth & infrared interface for data exchange and actuator control with Android App or Windows PC

Remote control

- 5 binary inputs 24VDC: Open - Stop - Close - Emergency Open - Emergency Close, free programmable, 24VDC rated voltage with common ground potential, inputs with jumpers configurable in groups with separated commons

Status signals

- 8 binary outputs 24VDC: Ready - Open - Closed - Opening - Closing - Torque - Local - Remote, free programmable, 24VDC supply, max. load 0,5A/channel

Handwheel

- Optional

Explosion protection

- Protection class Ex II 2 G Ex de IIC T4
- Certifications ATEX, IECEx, NEC

Features

- Free programmable step mode control for open and close
- 4 intermediate positions definable ■ Actuator torque adjustable between 25-100% from max. torque ■ Alternative menu structure available ■ Different user levels selectable ■ Counter values for preventive Maintenance notification

Valve connection

- Flange and output shaft according ISO 5210

Electric connectors

- Power connection via 10pole screw plug Han10E+PE
- Control and status signals via 24pole screw plug Han24E
- Metric cable entries for cable glands, closed with dummy glands
- Ex-design: terminal block

Ambient temperature

- -25°C up to +60°C, extended temperature range on request

Enclosure protection

- IP67 according EN 60 529, IP68 on request

Corrosion protection

- K2 (C2) for installation in aggressive atmosphere, C3 up to C5 on request

Color

- RAL7024 - graphite grey, all others on request

Modulating-Duty / On-Off-Duty / up to 110 kN and 170 mm

Failsafe Actuators for Shut-Off Valves

Size		(r)CM03 FS 30/5	(r)CM03 FS 50/8	(r)CM03 FS 100/12	(r)CM06 FS 100/30	(r)CM06 FS 170/25	(r)CM12 FS 120/45
Electric force for valve against FS Direction	kN	8	19	16	22	22	56
Max. force S4-operation	kN	5	10	12	15	15	30
Max. force S9-operation	kN	3	7	8	10	10	20
Spring remaining torque in failsafe mode	kN	5	8	12	30	25	45
Max. valve stroke	mm	30	50	100	100	170	120
Stroke speed electrical, adjustable	mm/sec	0,21-5,83	0,21-5,83	0,21-5,83	0,13-3,93	0,13-3,93	0,16-4,53
Stroke speed electrical, adjustable 24VDC	mm/sec	0,21-5,83	0,21-5,83	0,21-5,83	0,21-1,62	0,21-1,62	--
Stroking time in failsafe mode	sec	1-5	1-5	2-10	4-15	4-15	5-10
Valve flange	ISO 5210	F10	F10	F10&F14	F10&F14	F10&F14	F14
Weight	kg	80	99	104	159	165	312
Failsafe direction / Failsafe action		spindle extending close / spindle retracting open					
Power supply Failsafe brake – 24VDC	A	0,67A (16W)			0,875A (21W)		1,17A (28W)
Power supply 1ph (Standard)		AC: 1phase 100VAC...240VAC 50/60Hz +/-10%					
Nominal current @1x230VAC	A	1,47A (16Nm / 72rpm)		2,17A (20Nm / 60rpm)			3,8A (40Nm / 70rpm)
Power supply 3ph (Option)		AC: 3phase 380...480VAC 50/60Hz +/-10%					
Nominal current @3x400VAC	A	0,46A (16Nm / 72rpm)		0,9A (32Nm / 60rpm)			1,4A (64Nm/60rpm)
Power supply 24VDC (Option)		DC: 24VDC +/-10%					
Nominal current	A	4,6A (10Nm / 20rpm)		9,2A (32Nm / 20rpm)			--

Failsafe Actuators for Reverse Acting Gate Valves

Size		(r)CM03 FS 80/4	(r)CM06 FS 80/4	(r)CM12 FS 120/20
Electric force for valve against FS Direction	kN	23	46	75
Max. force S4-operation	kN	8	15	30
Max. force S9-operation	kN	5	10	20
Spring remaining torque in failsafe mode	kN	4	4	20
Max. valve stroke	mm	30	100	120
Stroke speed electrical, adjustable	mm/sec	0,21-5,83	0,13-3,93	0,16-4,53
Stroke speed electrical, adjustable 24VDC	mm/sec	0,21-5,83	0,21-1,62	--
Stroking time in failsafe mode	sec	1-5	4-15	5-10
Valve flange	ISO 5211	F10	F10&F14	F14
Weight	kg	49	56	258
Failsafe direction / Failsafe action		spindle retracting close / spindle extending open		
Power supply Failsafe brake – 24VDC	A	0,67A (16W)	0,875A (21W)	1,17A (28W)
Power supply 1ph (Standard)		AC: 1phase 100VAC...240VAC 50/60Hz +/-10%		
Nominal current @1x230VAC	A	1,47A (16Nm / 72rpm)	2,17A (20Nm / 60rpm)	70rpm)
Power supply 3ph (Option)		AC 3~380-480V 50/60Hz +/-10%		
Nominal current @3x400VAC	A	0,46A (16Nm / 72rpm)	0,9A (32Nm / 60rpm)	1,4A (64Nm/60rpm)
Power supply 24VDC (Option)		DC: 24VDC +/-10%		
Nominal current	A	4,6A (10Nm / 20rpm)	9,2A (32Nm / 20rpm)	--